

# Alfa Laval TK20-W

## Gasketed plate heat exchanger for demanding applications

### Introduction

Alfa Laval Industrial semi-welded line is used when gaskets are not suitable for one of the process media. The semi-welded line can also withstand a higher design pressure compared to fully gasketed plate-and-frame heat exchangers.

The relatively short plate makes this model suitable for duties with short temperature programs and when a low pressure drop is appreciated. A large range of plate and gasket types is available.

### Applications

- Chemicals
- Energy and Utilities
- Food and Beverages
- HVAC and Refrigeration
- Marine and Transportation
- Mining, Minerals and Pigments
- Pulp and Paper
- Steel
- Water and Waste treatment

### Benefits

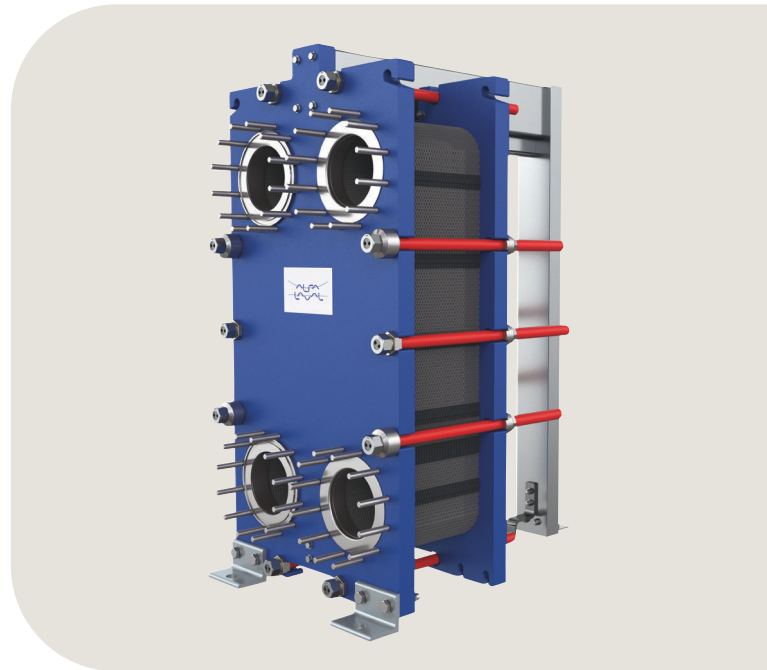
- High energy efficiency – low operating cost
- Flexible configuration – heat transfer area can be modified
- Easy to install – compact design
- High serviceability – easy to open for inspection and cleaning and easy to clean by CIP
- Access to Alfa Laval's global service network

### Features

Every detail is carefully designed to ensure optimal performance, maximum uptime and easy maintenance. Selection of available features, depending on configuration some features may not be applicable:



- Five-point alignment
- T-bar roller
- CurveFlow™ distribution area
- ClipGrip™ gasket attachment
- Leak chamber
- RefTight™ sealing system
- Compact frame
- Bearing boxes



- Fixed bolt head
- Key hole bolt opening
- Lifting lug
- Lining
- Lock washer
- Swing feet
- Tightening bolt cover
- Optimized Alfa Laval drain connection

### Alfa Laval 360° Service Portfolio

Our extensive service offering ensure top performance from your Alfa Laval equipment throughout its life cycle. The Alfa Laval 360 Service Portfolio include installation services, cleaning and repair as well as spare parts, technical documentation and trouble shooting. We also offer replacement, retrofit, monitoring and much more.

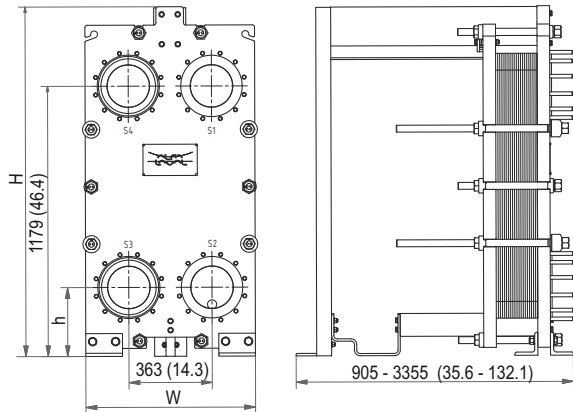
For information about our complete service offering and how to contact us - please visit [www.alfalaval.com/service](http://www.alfalaval.com/service).

## General remarks for technical information

- The global offering presented in this leaflet may not be available for all regions
- All combinations may not be configurable

## Dimensional drawing

Measurements mm (inches)



Type	H	W	h
TK20-FG	1525 (60.0")	740 (29.1")	301 (11.9")
TK20-FD	1525 (60.0")	785 (30.9")	301 (11.9")
TK20-FX	1560 (61.4")	900 (35.4")	331 (13.0")

The number of tightening bolts may vary depending on pressure rating.

## Technical data

Plates	Type	Free channel, mm (inches)
TK20-BW	Semi-welded	2.5 (0.098)

## Materials

Heat transfer plates	304/304L, 316/316L, 254 Ti
Field gaskets	NBR, EPDM, FKM NBR, EPDM, CR
Ring gaskets	NBR, EPDM, FEPM, CR
Flange connections	Metal lined: stainless steel, Alloy 254, titanium
Frame and pressure plate	Carbon steel, epoxy painted

Other materials may be available on request

## Operational data

Frame, PV-code	Max. design pressure (barg/psig)	Max. design temperature (°C/°F)
FG, pvcALS	15.5/225	200/392
FG, PED	16.0/232	50/122
FD, pvcALS	25.0/363	150/302
FD, ASME	20.7/300	150/302
FD, PED	25.0/362	150/302
FX, PED	63.0/914	150/302

Extended pressure and temperature rating may be available on request.

## Flange connections

Frame model	Connection standard
FG, pvcALS	EN 1092-1 DN150 PN16
	EN 1092-1 DN200 PN16
	ASME B16.5 Class 150 NPS 6 ASME B16.5 Class 150 NPS 8 JIS B2220 16K 200A
FG, PED	EN 1092-1 DN150 PN16
	EN 1092-1 DN200 PN16
	ASME B16.5 Class 150 NPS 6 ASME B16.5 Class 150 NPS 8
FD, pvcALS	EN 1092-1 DN150 PN25
	EN 1092-1 DN200 PN25
	ASME B16.5 Class 300 NPS 6 ASME B16.5 Class 300 NPS 8 JIS B2220 20K 200A
FD, ASME	ASME B16.5 Class 300 NPS 6
	ASME B16.5 Class 300 NPS 8
FDc, ASME	EN 1092-1 DN150 PN25
	EN 1092-1 DN200 PN25
FD, PED	ASME B16.5 Class 300 NPS 6
	ASME B16.5 Class 300 NPS 8
	ASME B16.5 Class 150 NPS 8 ASME B16.5 Class 900 NPS 6
FX, ASME	EN 1092-1 DN200 PN16
	EN 1092-1 DN200 PN25
FX, PED	EN 1092-1 DN150 PN63
	ASME B16.5 Class 150 NPS 8
	ASME B16.5 Class 900 NPS 6
	ASME B16.5 Class 900 NPS 6

Standard EN1092-1 corresponds to GOST 12815-80 and GB/T 9115.

This document and its contents are subject to copyrights and other intellectual property rights owned by Alfa Laval Corporate AB. No part of this document may be copied, re-produced or transmitted in any form or by any means, or for any purpose, without Alfa Laval Corporate AB's prior express written permission. Information and services provided in this document are made as a benefit and service to the user, and no representations or warranties are made about the accuracy or suitability of this information and these services for any purpose. All rights are reserved.

## How to contact Alfa Laval

Up-to-date Alfa Laval contact details for all countries are always available on our website at [www.alfalaval.com](http://www.alfalaval.com)